

# 10/100BASE-TX VOIP/POE TRANSFORMER

## Features :

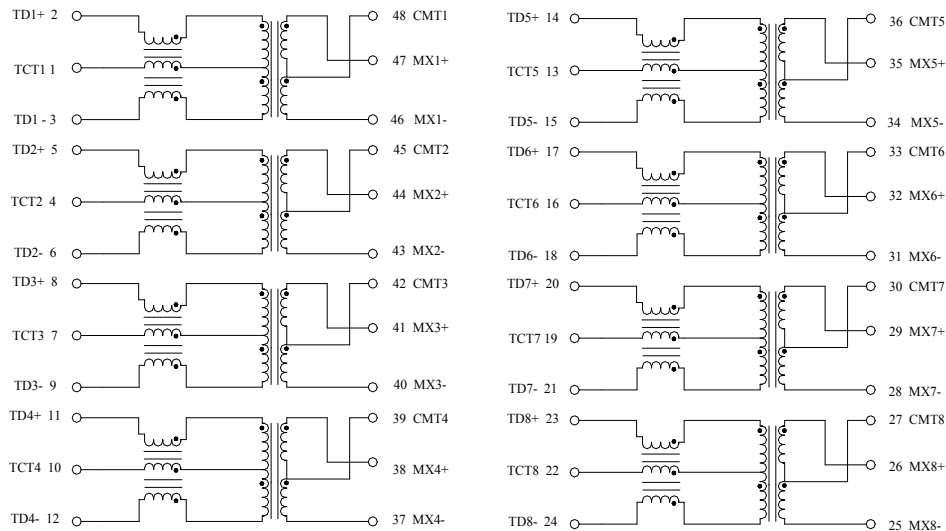
- 1 ) RoHS-6 Peak reflow temperature rating 250°C .
- 2 ) Meets IEEE 802.3 specification .
- 3 ) Including 350µH open circuit inductance with 8mA DC bias .
- 4 ) Compact footprint .
- 5 ) Suitable for End-span and Mid-span PoE applications.

## FW-H4801SD

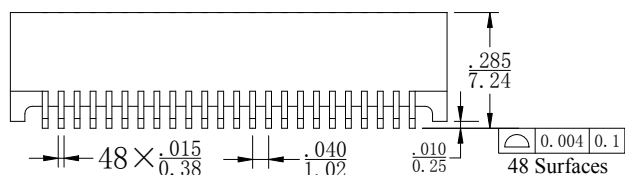
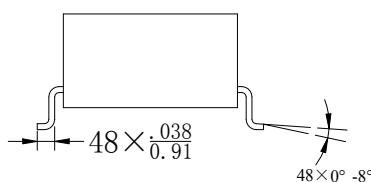
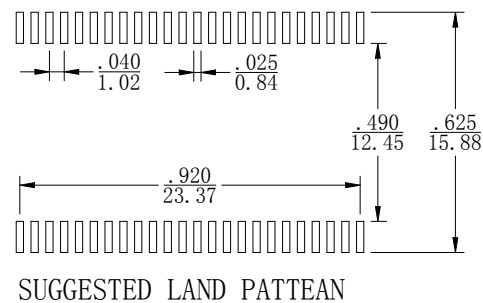
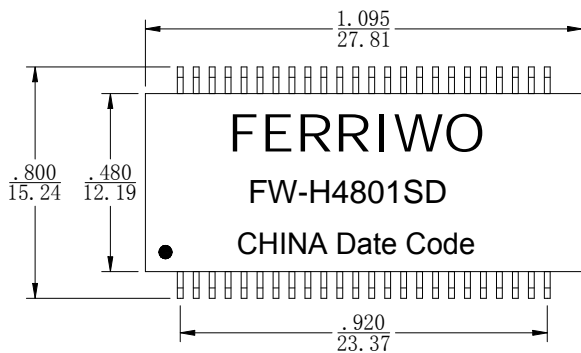
### A ) Electrical Specifications @ 25°C --- Operating temperature 0°C To 70°C .

Turns ratio (TX:RX)	Insertion Loss (dB Max.)			Return Loss (dB Min.)				Crosstalk (dB Min.)			Hi pot 0.5mA 60sec 1500Vac
	0.1MHz	100MHz	125MHz	30MHz	60MHz	80MHz	100MHz	30MHz	60MHz	100MHz	
1CT:1CT +/-5%	-1.1	-1.0	-2.0	-18	-12	-12	-10	-43	-37	-33	

### B ) Schematics



### C ) Mechanical Dimensions ( Unit: inches / mm )



Unless otherwise specified , all tolerances are +/- .010 / 0.25